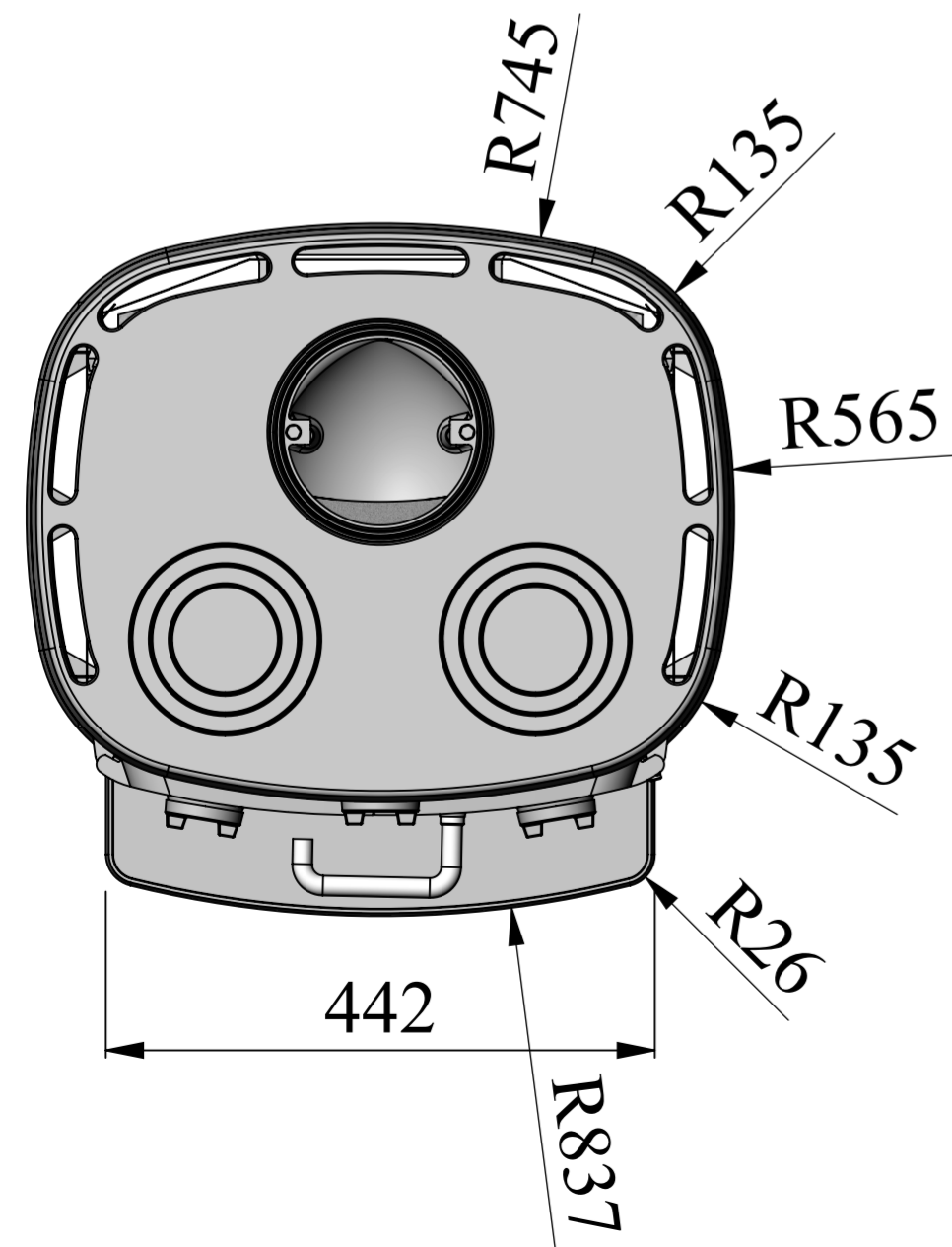
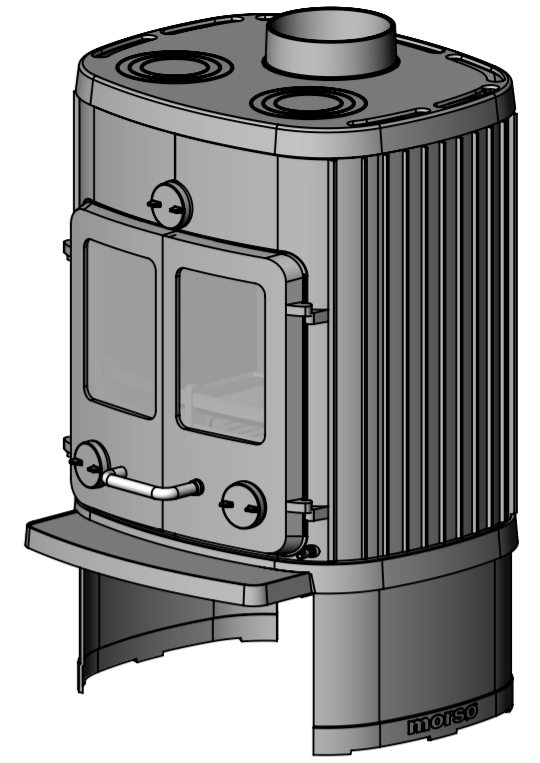
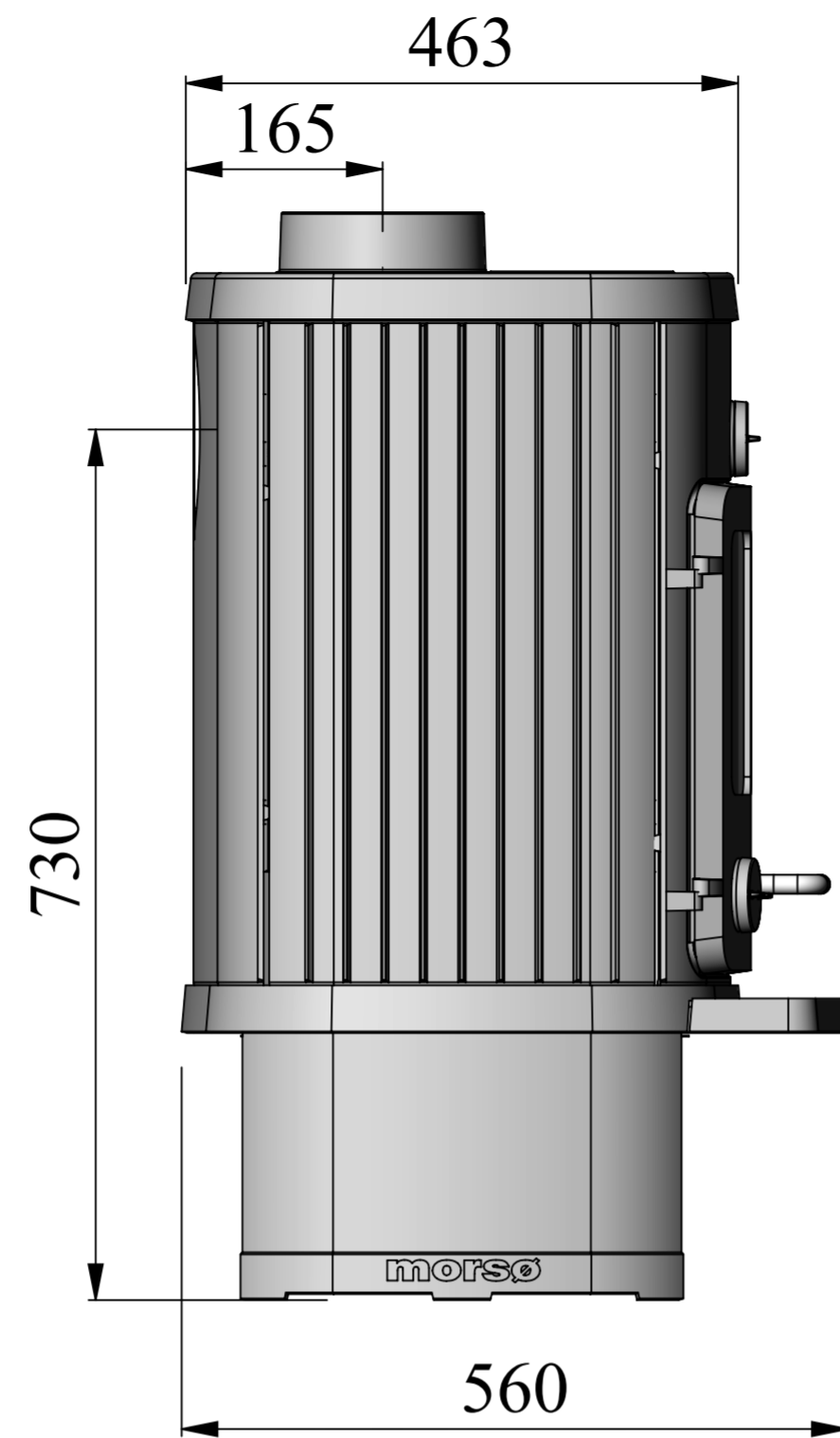
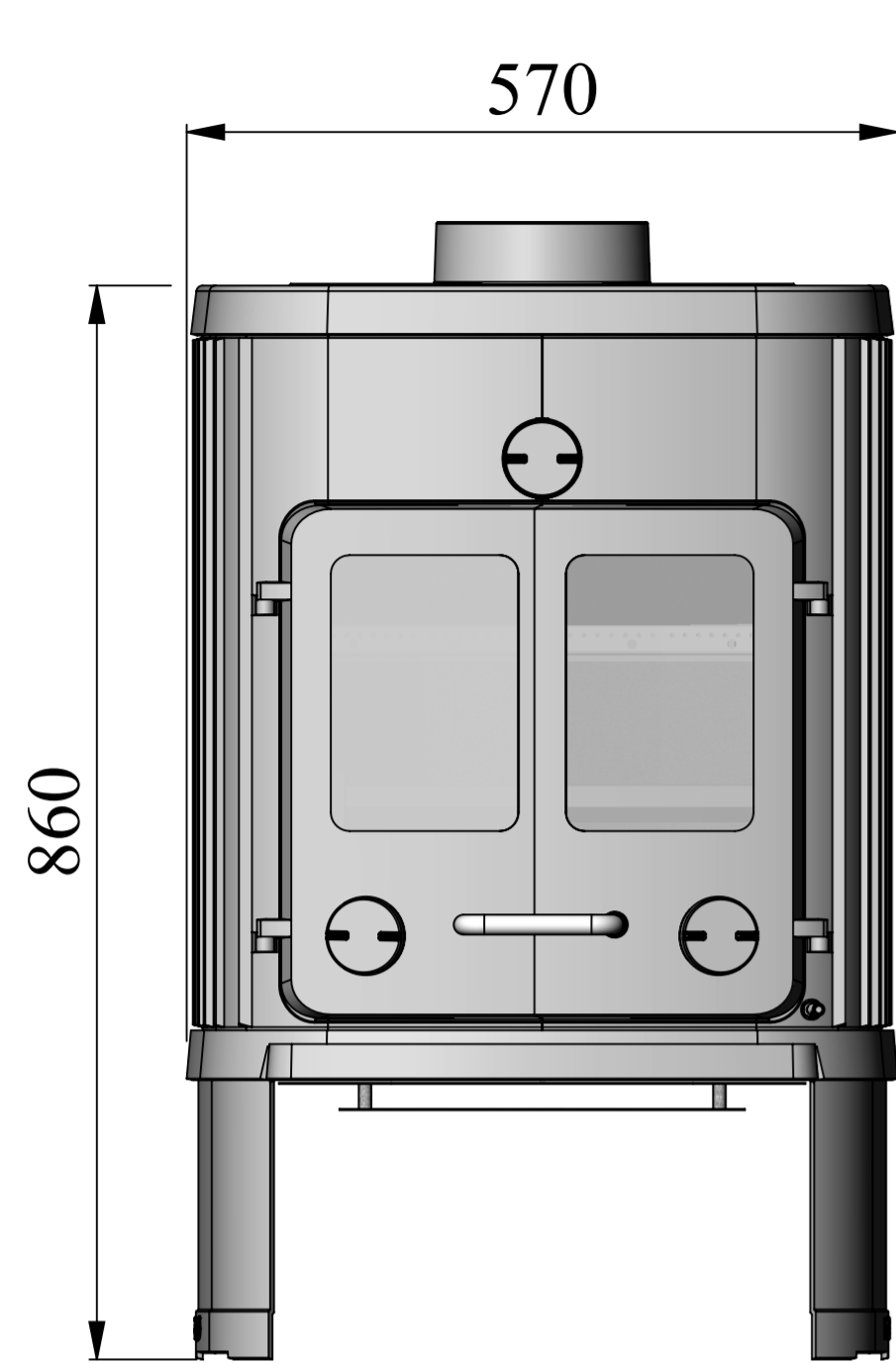


|  |   |  |               |
|--|---|--|---------------|
| c  | Tilføjet oven set fra oven.                                 | RSV  | 12.07.2010    |
| Rev.   | Revisions   | Sign.:   | Date:         |
|  | Title:  | Construction:  | KAA Juni 1987 |
| Mål uden toleranceangivelse i.h.t. DS/ISO 2768-1 m | <b>Målskitse</b>  | Released:  |               |
| Material:  |   | Format:  | <b>A2</b>     |
| Weight:  |   | Scale:   | <b>1:6</b>    |
| Model no.  | <b>Morsø 1126</b>   | Itemno.:   |               |
| Drawingtype:                                       | Målskitse   | Drawing no.:   |               |
| Location of file:                                  | <small>01\udv\1\tegn\figer\1126\1126_Samling_3D\ASM</small> |  <b>1126-81 c</b> |               |

This drawing is Morsø Jernstøberi A/S' property and must not be sold, lendet or copied without any written authorization from the company.



|  |                                       |   |                  |
|--|---------------------------------------|---|------------------|
| c  | Tilføjet oven set fra oven.           | RSV   | 12.07.2010       |
| Rev.   | Revisions                             | Sign.:  | Date:            |
|  |                                       | Construction:   | KAA Juni 1987    |
| Title:   |                                       | Released:   |                  |
| Mål uden toleranceangivelse i.h.t. DS/ISO 2768-1 m |                                       | Format:   | <b>A2</b>        |
| Material:  |                                       | Scale:  | <b>1:6</b>       |
| Weight:  |                                       | Itemno.:  |                  |
| Model no.  |                                       | Drawing no.:  | <b>1126-81 c</b> |
| Drawingtype:                                       | Målskitse                             |  |                  |
| Location of file:                                  | S:\uud\1126\1126-1126_Samling_SLD\ASM | <b>morsø</b>  |                  |

This drawing is Morsø Jernstøberi A/S' property and must not be sold, lent or copied without any written authorization from the company.